

# Data Sheet

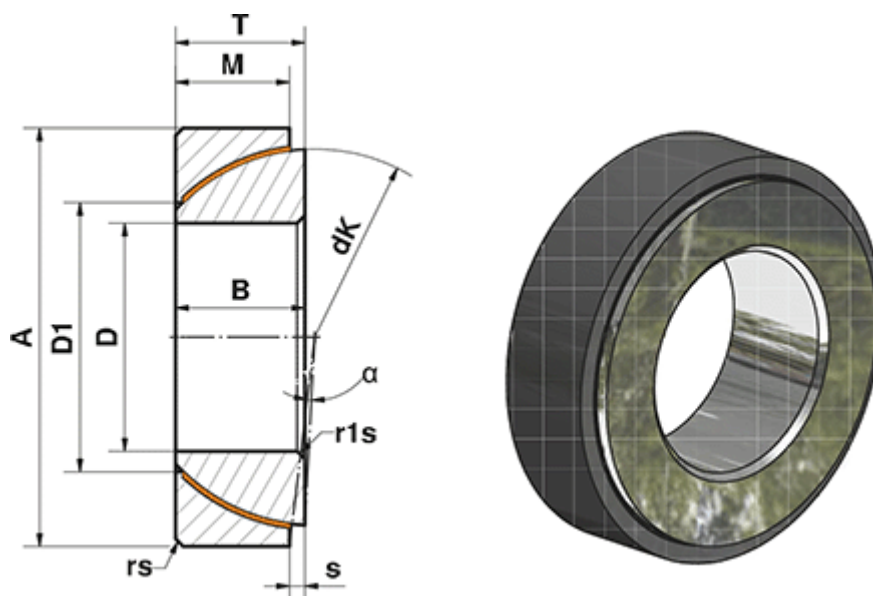


Article number: 03449100

Description: Fluro Heavy Duty Spherical Plain Bearing GE 100 SWE  
Hole  $\varnothing$ 100

Note: 100

## Measures



A	= 150	rs, r1s min	= 1.5
a (degrees)	= 3	S	= 11.6
B	= 32	Static load C0 (kN)	= 1848
D	= 100	T	= 32
D1	= 114.6	Weight (g)	= 2340
dK	= 141		
Dynamic load C (kN)	= 1109		
M	= 31		